

ACRYLIC AND GLASS SOLUTIONS

PROVEN PROTECTION
FOR PRESERVATION & DISPLAY

 **TRU VUE®**



Installation view, William Etty, *Pandora Crowned by the Seasons*, 1823-1824, oil on canvas, Birmingham Museum and Art Gallery, United Kingdom, installed at The Oklahoma City Museum of Art, Oklahoma City, United States of America. Photo courtesy of Birmingham Museum and Art Gallery and The Oklahoma City Museum of Art. Optium Museum Acrylic® in traditional frame.



Installation view, *Arts of Korea*, Brooklyn Museum, Brooklyn, New York, United States of America, on view beginning September 15, 2017. Photo: Brooklyn Museum. Optium Museum Acrylic® vitrines.



The restored Chinese screen in the Dining Cove at Taliesin West. Photo by Andrew Pielage. Courtesy the Frank Lloyd Wright Foundation. Scottsdale, AZ, USA. Optium Museum Acrylic assembly.



Installation view, *Rubén Beloso: Pastels*, on view Dec 15, 2017 – Feb 25, 2018, Musée Antoine Lécuyer, Saint-Quentin, France. Photo courtesy of the Artist. Optium Museum Acrylic® in traditional frames.



Installation view at The Brinton Museum, Big Horn, WY, USA. Photo courtesy of Architectural Plastics, Inc. Optium Museum Acrylic® wall display case fabricated by Architectural Plastics, Inc.

OVER 50 YEARS OF EXPERTISE ENGINEERED INTO EVERY PRODUCT WE MAKE.

Since 1970, the framing, museum, and design communities have trusted Tru Vue® glass and acrylic solutions to protect and display cultural heritage objects and fine works of art. Our exceptional glazing combines unrivaled aesthetics with unmatched performance to meet the most stringent conservation standards and exceed the highest expectations.

CONTENTS

- 2 SELECT PROJECTS THE WORLD OVER
- 4 OPTIUM MUSEUM ACRYLIC®
- 6 ULTRAVUE® LAMINATED GLASS
- 8 CONSERVATION GRADE UV ACRYLIC AND GLASS
- 9 ULTRAVUE® UV70 AND UV92 GLASS
- 10 TRULIFE® ACRYLIC
- 12 TRU VUE® ACRYLIC AND GLASS SOLUTIONS | TRU VUE® RESOURCES

PROTECTION AND PRESERVATION TRUSTED THE WORLD OVER.



MR. MORGAN'S LIBRARY (EAST ROOM)

MEDIUM: Bookcases

LOCATION: The Morgan Library & Museum
New York, NY, USA

GLAZING: Optium Museum Acrylic®

Mr. Morgan's Library (East Room). After restoration. © The Morgan Library & Museum.
Photography by Graham S. Haber



BUDDHA SHAKYAMUNI

MEDIUM: Copper alloy with silver and copper

LOCATION: Seattle Asian Art Museum, Washington, USA

GLAZING: UltraVue® Laminated Glass

Installation view of the Buddha Shakyamuni in the exhibition "Boundless: Stories of Asian Art" at the Asian Art Museum. Photo credit: Geneva Griswold.
Courtesy of the Seattle Asian Art Museum.



CASA MELLA-RUSSO

MEDIUM: more than 200 paintings and drawings

LOCATION: Casa Mella Russo, Santo Domingo,
Dominican Republic

GLAZING: Optium Museum Acrylic®

The second room of the permanent collection, Casa Mella-Russo.
Photography: Mariano Hernandez

Tru Vue glass and acrylic solutions are known around the world for uncompromising protection and for creating a better visual experience. Our fine glazing products are available for purchase through our global network of authorized distributors.



MUNCH MUSEUM

MEDIUM: more than 500 works

LOCATION: Munchmuseet, Oslo, Norway

GLAZING: Optium Museum Acrylic®

Edvard Munch, "The Scream". Tempera and oil on paper, 1910. © Munchmuseet.
Photo: WERNER MURRER RAHMEN.



M PLUS MUSEUM

MEDIUM: Numerous works on paper

LOCATION: M Plus Museum,
Hong Kong

GLAZING: Optium Museum Acrylic®

© Virgile Simon Bertrand, courtesy of Herzog & de Meuron



ADORATION OF THE MAGI

**EDWARD BURNE-JONES;
WOVEN BY MORRIS & COMPANY**

MEDIUM: Tapestry, silk and wool

LOCATION: Exeter College Chapel,
University of Oxford, Oxford, UK

GLAZING: Seamed Optium Museum Acrylic®

The re-framed "Adoration of the Magi" in situ. Image: Studio8 Ltd.

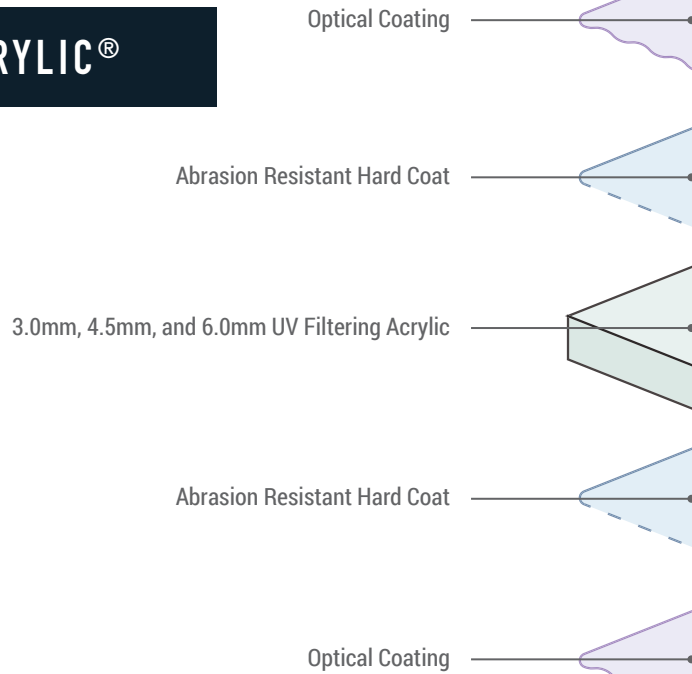
THE BEST VIEWING EXPERIENCE IS MADE POSSIBLE WITH OPTIUM.®



Installation view of Torild Stray, *New York Metamorphosis*, charcoal on paper, National September 11 Memorial & Museum, New York, New York, United States of America. Courtesy of 9/11 Memorial & Museum. Photo by Jin Sup-Lee, 9/11 Memorial. Seamed Optium Museum Acrylic® in traditional frame.

Optium Museum Acrylic® is among the most innovative glazing products in the world. It features a virtually invisible double-sided, anti-reflective, anti-static coating that provides conservation-grade UV protection (99%), making it ideal for delicate pastels, fragile surfaces, paper and textiles. This proprietary coating significantly cuts down on cleaning and fabrication time, especially for high volume work. Plus, the scratch-resistant hard coat and shatter-proof durability means that Optium Museum Acrylic can be reused, making it more sustainable than regular acrylic. These innovative attributes combine to deliver a stunning, crystal-clear, high-definition viewing experience unlike any other. Optium Museum Acrylic is designed to meet the most uncompromising aesthetic and preservation standards.

OPTIUM MUSEUM ACRYLIC®



FEATURES

- ♦ Reduces distracting reflections for a close, intimate experience
- ♦ Blocks up to 99% of UV rays (300-380nm)
- ♦ Optimal light transmission
- ♦ Anti-static protection exceeds glass and immediately dissipates static
- ♦ Durable hard coat protects against scratches associated with frequent cleaning, handling, and public interaction
- ♦ Shatter resistance safeguards against injury and damage to artwork
- ♦ Easy to clean with common household glass cleaners, DO NOT use acrylic cleaners or polishing agents
- ♦ Proprietary coating significantly cuts down on cleaning and fabrication time, especially for high volume work
- ♦ Can be re-used – is more sustainable than regular acrylic

MEETS/EXCEEDS INDUSTRY STANDARDS

- ♦ Oddy Test - Passed
- ♦ Photographic Activity Test (ISO 18916) - Passed
- ♦ Corrosion Resistance (ASTM B117-03) - Passed
- ♦ Electrical Surface Resistivity (ASTM D257) < 1.0E+12 Ohms/square
- ♦ Static Decay = 0.01 Seconds
- ♦ Meets Swinging Punch Bag ANSI Z97.1-2009 Class A & CPSC Category II rating (48 inch impactor drop height)
- ♦ Accelerated Aging - anti-reflective, anti-static, UV protection, and light transmission remain unchanged after 2000 hours (estimated to be approximately 100 years)

RECOMMENDED APPLICATIONS

- ♦ Framing or display cases for cultural heritage and fine art collections
- ♦ Friable media (pastels, charcoal, diamond dust), fragile surfaces (burnt paper), lightweight papers, textiles
- ♦ Exceptional abrasion-resistance for works that travel or are displayed in high traffic areas and public event spaces
- ♦ UV Protection for light-sensitive objects
- ♦ Structurally sensitive frames and/or when glass is too heavy
- ♦ Security, or when breakage is a concern and glass is not an option
- ♦ Oversized works up to 10ft x 23ft / 3m x 7m (two or more sheets of Optium Museum Acrylic are seamed together)

THICKNESS	MAXIMUM SIZE (IN)	(MM)
3.0mm	48 x 96 in.	2438 x 1219mm
4.5mm	72 x 96 in.	2438 x 1829mm
6.0mm	72 x 120 in.	3048 x 1829mm

Available thru Tru Vue Fine Art Distributors tru-vue.com/find-a-distributor/
 Can be ordered cut-to-size
 To download Facts and Specifications go to tru-vue.com/museums-collections/samples-literature/

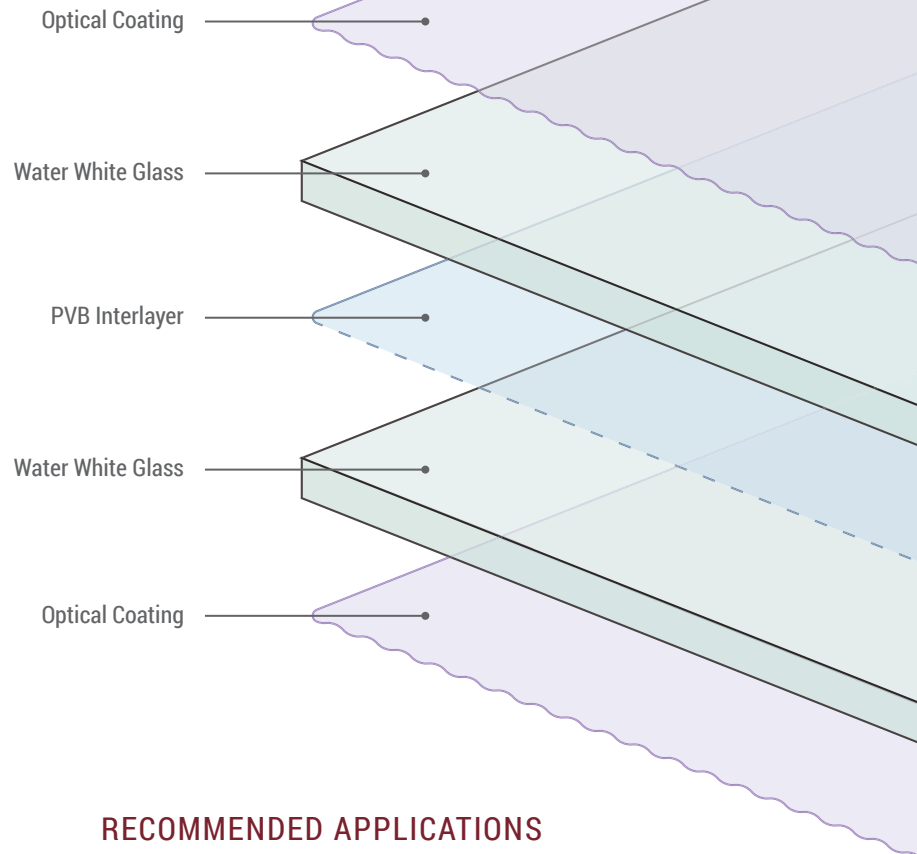
SAFETY & SECURITY IS A BEAUTIFUL THING.



Trophy Hall in Lobby, Glass Display Cases, The Marcus Mariota Sports Performance Center University of Oregon, Eugene, Oregon, United States of America. Kris Iverson, Moon Shadow Glass. UltraVue® Laminated Glass.

UltraVue® Laminated Glass is engineered to a tighter cosmetic specification for the most discerning clients who demand the best viewing experience possible. UltraVue Laminated Glass is shatter resistant and blocks up to 99% of harmful UV rays for ultimate protection and peace of mind and can be fabricated and custom edge-worked to meet a variety of needs. When your project demands the highest level of protection and preservation, a worldwide network of authorized Tru Vue distributors ensures UltraVue Laminated Glass is readily and widely available when you need it.

ULTRAVUE® LAMINATED GLASS



FEATURES

- ◆ Reduces distracting reflections for a close, intimate viewing experience
- ◆ Blocks up to 99% of UV rays (300-380nm)
- ◆ Water White substrate provides crystal clear color transmission
- ◆ Optimal light transmission
- ◆ Shatter resistance safeguards against injury and damage to artwork
- ◆ Enhanced surface for better durability and easy cleaning
- ◆ Designed to meet tighter specifications for framing and display than glass made to architectural specifications
- ◆ Made in the USA and readily available through our worldwide network of authorized distributors

MEETS/EXCEEDS INDUSTRY STANDARDS

- ◆ Oddy Test - Passed
- ◆ Photographic Activity Test (ISO 18916) - Passed
- ◆ Corrosion Resistance (ASTM B117-03) - Passed
- ◆ Meets Swinging Punch Bag Test ANSI Z97.1-2009 Class B & CPSC 16 CRF 1201 CPSC Category I rating
- ◆ Meets Pendulum Tire Drop Test EN 12600:2002
- ◆ Accelerated Aging - anti-reflective, anti-static, UV protection, and light transmission remain unchanged after 2000 hours (estimated to be approximately 100 years)

RECOMMENDED APPLICATIONS

- ◆ Framing or display cases for cultural heritage and fine art collections
- ◆ Shadowboxes for displaying objects
- ◆ Framing for high traffic areas where safety is a concern
- ◆ When impermeability of display materials is required, such as with parchment, albumin prints, and wood panels
- ◆ When rigidity and strength are required and weight is not a concern
- ◆ UV protection for light sensitive objects
- ◆ Use in active tightly controlled enclosures (display cases and sealed packages) that will be in service for long periods

THICKNESS	MAXIMUM SIZE (IN)	(MM)
4.4mm	63 x 85 in.	2159 x 1600mm
8.8mm	72 x 120 in.	3048 x 1829mm

Available thru Tru Vue Fine Art Distributors tru-vue.com/find-a-distributor/
 Can be ordered cut-to-size
 To download Facts and Specifications go to tru-vue.com/museums-collections/samples-literature/

CONSERVATION-GRADE PEACE OF MIND.

Conservation Grade UV Acrylic solutions strike the perfect balance between color neutrality and protection. Each unique product is engineered with a crystal clear, shatterproof acrylic substrate which blocks up to 99% of harmful UV rays to help protect against fading. Tru Vue Conservation Grade UV Acrylic solutions are ideal for framing or displaying cultural heritage and fine art collections, as well as oversized and irreplaceable works of art in earthquake prone or high traffic areas where safety is a concern.

FEATURES

	Conservation Clear® Acrylic	Conservation Reflection Control® Acrylic
99% UV PROTECTION	◆	◆
LIGHTWEIGHT	◆	◆
SHATTER RESISTANT	◆	◆
CRYSTAL CLEAR TRANSMITTED COLOR	◆	◆
MATTE-LIKE, NON-GLARE FINISH		◆

RECOMMENDED APPLICATIONS

- ◆ UV protection (300-380 nm) for light sensitive objects
- ◆ Framing or displaying cultural heritage and fine art collections, oversized works, irreplaceable works of art
- ◆ Framing for earthquake prone or high traffic areas, and public event spaces where safety is a concern
- ◆ Works that travel

Tru Vue Conservation Grade UV Glass filters 99% of harmful UV rays, the first in the industry, to deliver unmatched protection and peace of mind. Conservation Grade UV Glass is trusted the world over for preserving significant artifacts, historical documents and friable works of art. With a wide variety of Conservation Grade UV Glass products to choose from, Tru Vue can provide a glazing solution that's right for every client, project and budget.

FEATURES

	Museum Glass®	Conservation Clear® Glass	Conservation Reflection Control® Glass
ANTI-REFLECTIVE	◆		
99% UV PROTECTION	◆	◆	◆
LIGHT TRANSMISSION	>97%		
MATTE-LIKE, NON-GLARE FINISH			◆

RECOMMENDED APPLICATIONS

- ◆ Reduces distracting reflections for a close, intimate viewing experience (*Applies only to Museum Glass®*)
- ◆ UV protection (300-380 nm) for light sensitive objects
- ◆ Items sensitive to uncontrolled environments

THE CLEAR CHOICE WHEN CLARITY IS EVERYTHING.

UltraVue® UV70 and UV92 water white glass provide crystal clear color transmission and a virtually invisible, anti-reflective surface for unbelievable clarity. Ideal for items that are less sensitive to UV damage or those that will be displayed in controlled light environments where UV exposure is limited. UltraVue UV70 is available worldwide. UltraVue UV92 is available in Europe, Asia, Middle East, Africa, Oceania, and Latin America.

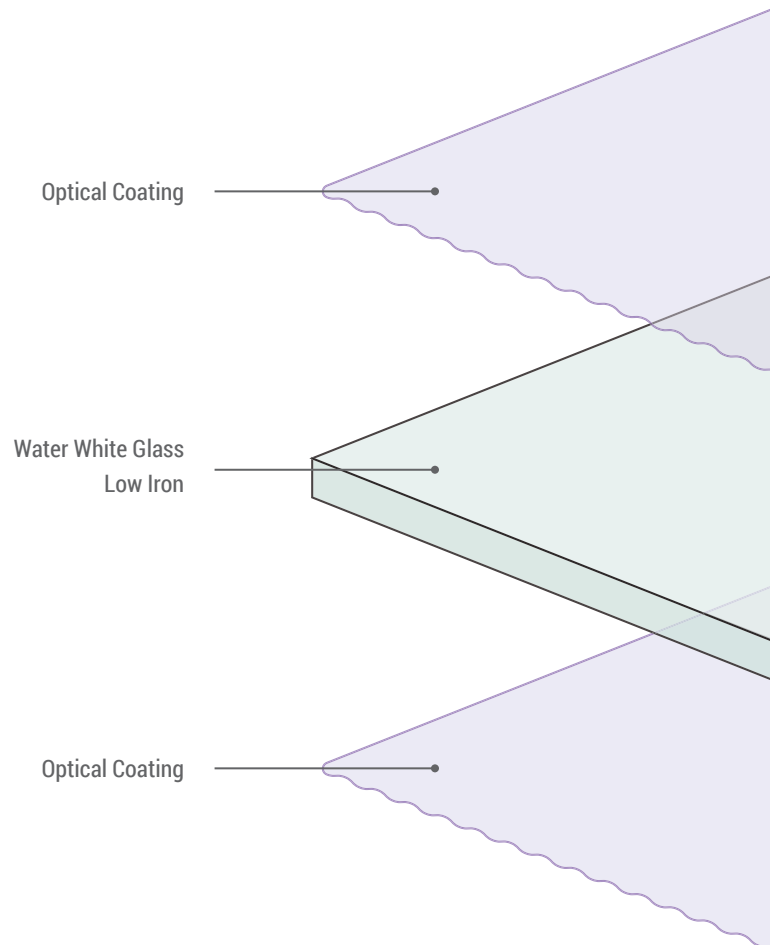
FEATURES

- ♦ Virtually eliminates reflections
- ♦ UltraVue UV70 filters up to 70% UV/ UltraVue UV92 filters up to 92% UV (300-380 nm)
- ♦ Water White substrate provides crystal clear color transmission
- ♦ Light transmission enhances color and contrast levels
- ♦ Enhanced surface for better durability and easy cleaning
- ♦ Proprietary coating is engineered for permanence

RECOMMENDED APPLICATIONS

- ♦ Items that are less sensitive to UV damage or that will be displayed without UV exposure
- ♦ Works of art or photography where color neutrality is most important

THICKNESS	MAXIMUM SIZE (IN)	(MM)
2.0mm	48 x 68 in.	1725 x 1220mm
3.0mm	63 x 85 in.	2160 x 1600mm



ONE AMAZING PRODUCT. MANY APPLICATIONS.

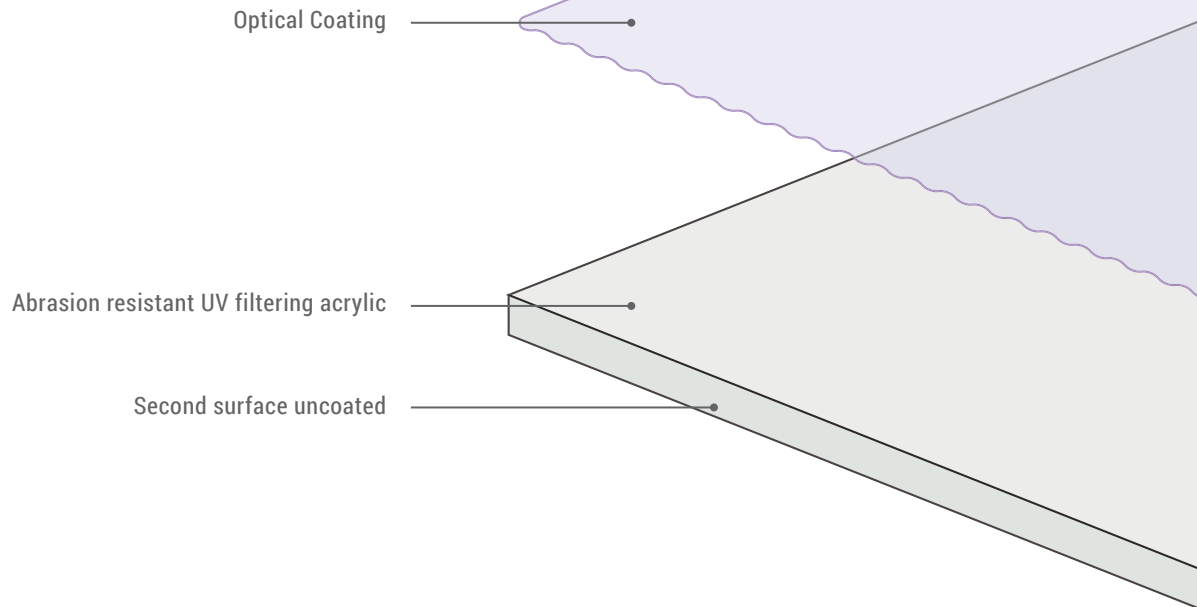


Silicon Valley Bank Offices, Salt Lake City, Utah, United States of America. Architect and Designer: FENNIE+MEHL Architects. Photographer: Jeremy Bittermann. TruLife® Acrylic face mounted print.



Unleash your imagination. From fine art printing and corporate graphics to sophisticated interior and exhibition design, **TruLife®** single-sided, anti-reflective acrylic delivers a stunning, immersive, viewing experience. The anti-static and abrasion-resistant properties of the surface allow it to stand up to repeated cleanings, making it an ideal solution for high traffic environments. TruLife® also reduces surface glare and presents vibrant colors and contrast making it fully ADA compliant for signs and other displays. Imagine the possibilities.

TRULIFE® ACRYLIC



FEATURES

- ◆ Increased light transmission for awe-inspiring colors and sharp details
- ◆ Blocks up to 99% of UV rays (300-380 nm)
- ◆ Anti-static properties repel dust on the viewing side, so there is less cleaning required
- ◆ Exceptional abrasion-resistance means the surface and brilliant colors stay true with frequent cleaning, and in high traffic areas or public spaces
- ◆ Shatter resistance safeguards against injury and damage to work
- ◆ Viewing side cleans like glass - easy to clean with common household glass cleaners. No special acrylic cleaners needed.
- ◆ Proprietary coating is engineered for permanence
- ◆ American Disabilities Act (ADA) compliant
- ◆ Second Surface Options: provides an uncoated surface for face mounting and direct printing

RECOMMENDED APPLICATIONS

- ◆ Face/Second Surface Mounting
- ◆ Direct Printing of Fine Art Photographs and Digital Images
- ◆ Signage - Exhibit & Wayfinding
- ◆ Branding, Corporate Images
- ◆ Wall Decor for Hospitality & Corporate Environments
- ◆ Point-of-Purchase & Retail Displays
- ◆ Customizable Dry Erase Marker Boards

THICKNESS	MAXIMUM SIZE (IN)	(MM)
3.0mm	60 x 120 in.	1524 x 3048mm

Available thru Tru Vue Fine Art Distributors tru-vue.com/find-a-distributor/
 Can be ordered cut-to-size
 To download Facts and Specifications go to tru-vue.com/museums-collections/samples-literature/

MEETS/EXCEEDS INDUSTRY STANDARDS

- ◆ Oddy Test - Passed
- ◆ Photographic Activity Test (ISO 18916) - Passed
- ◆ Corrosion Resistance (ASTM B117-03) - Passed

TRU VUE® ACRYLIC AND GLASS SOLUTIONS

		ANTI-REFLECTIVE	ANTI-STATIC	ABRASION RESISTANT	99% UV PROTECTION	LIGHTWEIGHT	LIGHT TRANSMISSION	SHATTER RESISTANT	CRYSTAL CLEAR TRANSMITTED COLOR	MATTE-LIKE, NON-GLARE FINISH
RECOMMENDED FOR MUSEUM & FINE ART COLLECTIONS (99% UV Protection & shatter resistant)	Optium Museum Acrylic®	◆	◆	◆	◆	◆	>98	◆	◆	
	UltraVue® Laminated Glass	◆		◆	◆		>98	◆	◆	
CONSERVATION GRADE UV ACRYLIC	Conservation Clear® Acrylic				◆	◆		◆	◆	
	Conservation Reflection Control® Acrylic				◆	◆		◆	◆	◆
CONSERVATION GRADE UV GLASS	Museum Glass®	◆			◆		>97			
	Conservation Clear® Glass				◆					
	Conservation Reflection Control® Glass				◆					◆
SPECIALTY GLAZING	Optium Acrylic®	◆	◆	◆		◆	>98	◆	◆	
	UltraVue® Glass	◆		◆			>98.5			
	AR Reflection-Free® Glass	◆		◆			>97			
	Reflection Control® Glass									◆
	Reflection Control® Acrylic					◆		◆		◆
FACEMOUNTING, SIGNAGE & DIRECT PRINT	TruLife® Acrylic	◆	◆	◆	◆	◆	>98	◆	◆	

TRU VUE® RESOURCES

CLEANING: tru-vue.com/products/care-handling/

CASE FABRICATION GUIDELINES: tru-vue.com/2012/07/case-fabrication-guidelines/

QUICKVUE NEWSLETTERS / CASE STUDIES: tru-vue.com/articles/museums-collectors/

FIND A DISTRIBUTOR: tru-vue.com/find-a-distributor/

Questions? Email us at fineart@tru-vue.com

WE WANT TO HEAR FROM YOU.

Tru Vue has been providing high-quality, optically coated, glass and acrylic for over 50 years. We work closely with the design, conservation, and museum communities to develop awe-inspiring products that beautifully resolve design and display challenges in experiential spaces. We are always interested to hear more about your current project and glazing considerations. If you have any questions or comments please don't hesitate to contact us at fineart@tru-vue.com

OR VISIT:

[TRU-VUE.COM/MUSEUMS-COLLECTIONS](https://tru-vue.com/museums-collections)

TRU VUE, INC.

9400 W. 55th Street | McCook, Illinois 60525 | USA

Tru Vue® the Tru Vue logo, Optium Museum Acrylic®, Optium Acrylic®, Conservation Reflection Control® Acrylic, Conservation Clear® Acrylic, Reflection Control® Acrylic, UltraVue® Laminated Glass, Museum Glass® Conservation Reflection Control® Glass, Conservation Clear® Glass, AR Reflection-Free® Glass, Ultra Vue® Glass, Reflection Control® Glass and TruLife® are registered trademarks of Tru Vue, Inc, McCook, IL USA. ©2022 Copyright Tru Vue, Inc. All rights reserved. M99-01491ENG 0522